

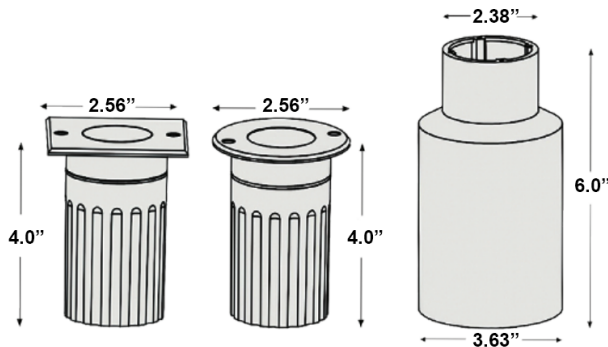
PROJECT NAME:	DATE:	TYPE:
SPECIFIER:	PREPARED BY:	
PART NO.:		



LED WELL LIGHT SERIES

TBD.WLR/WLS

4.5W IN-GRADE LED WELL LIGHT



Architectural grade, low profile, LED accent light. With virtually no heat, a perfect source of light for in-grade, in-wall, columns, and up-light applications. Low maintenance at 50,000 hours rated life cycle. Suitable for wet location installations.

FEATURES

- 4.5W LED
- 24V DC
- Color Temp: 3000K and 4000K
- 267 Lm (3000K) / 305 Lm (4000K)
- 85+ CRI
- Dimmable
- Suitable for In-Grade applications
- Suitable for Interior or Exterior applications
- Square or Round Face Plate Options
- Concrete pour housing included
- 24V DC Power Supply Required
- Dimmable and Non-Dimmable TLS power supply options available
- Rating: Wet Location IP65
- Connection: 20" 18AWG Lead Wire
- Housing: 3.62"D x 6.0"H
- Face Plates: Round 2.56"D x 4.0"H
Square 2.56"D x 4.0"H
- Long Life: 50,000 Hours
- Heavy Duty Stainless Steel Finish –
- Able to withstand Max Load of 2000 lbs



ORDERING GUIDE

TBD.WLR (Round)
TBD.WLS (Square)

COLOR TEMP
30K - 3000K
40K - 4000K

FINISH
SS - Stainless Steel

VOLTAGE
24 - 24V DC

