

PROJECT NAME:	DATE:	TYPE:
SPECIFIER:	PREPARED BY:	
PART NO.:		



# LED MONOPOINT SERIES

## TBD.MDH-20

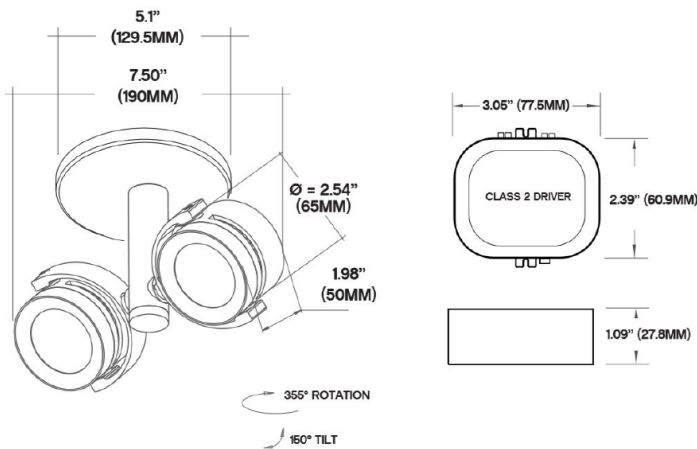
### 20W LED DOUBLE MONOPOINT



Sleek and compact, this 20W / 1200 Lumen Dual LED monopoint is adjustable with 355° rotation, 150° tilt; and, eco-friendly with no heat, UV, or IR radiation, so will not degrade fabrics or artwork. It is an excellent choice where extra adjustability is needed. Suitable for residential, commercial, or retail applications.

### FEATURES

- 20W
- 1200 Lumens
- 120-277 VAC Input Voltage
- Die-cast Aluminum
- Dry and Damp Location
- Adjustable Beam Angle
- 355° Rotation, 150° Tilt
- 19° Spot, 30° Flood, 45° Wide Flood Optic Options
- Canopy Monopoint Mount
- 90+ CRI
- 50,000 Hours
- Eco-friendly, No UV or IR, Will Not Degrade Artwork
- Dimmable
- Class 2 TRIAC/0-10V Driver Included, Requires
- Minimum 1.5" Deep Junction Box



## ORDERING GUIDE

**TBD.MDH**

WATTAGE	COLOR TEMP	FINISH	OPTIC 1	OPTIC 2	ADAPTER
20 - 20W	27K - 2700K 30K - 3000K 40K - 4000K	WH - White BK - Black SI - Silver	SP - 19° Spot FL - 30° Flood WF - 45° Wide	SP - 19° Spot FL - 30° Flood WF - 45° Wide	MP - Monopoint