

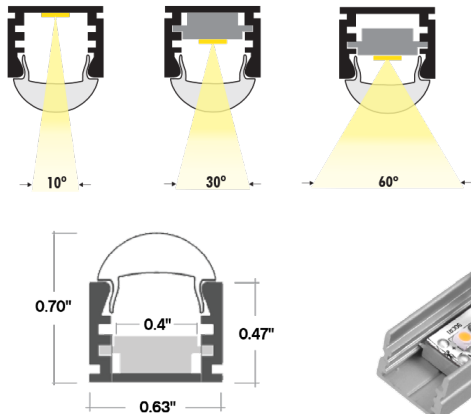
PROJECT NAME:	DATE:	TYPE:
SPECIFIER:	PREPARED BY:	
PART NO.:		



PROFILE CHANNEL SERIES

TBD.E65

FLANGELESS PROFILE CHANNEL WITH OPTIC OPTIONS



An optic options channel available in 10°, 30° or 60° for specialty purposes like grazing tall walls. This durable Anodized Aluminum Profile Channel not only adds a great finished appearance to your space, but also protects LED chips from dust, and provides superior thermal management for higher wattage LED strips, prolonging the overall lifetime of the lighting system. Patented diffusers maximize lumen output and beam distribution.

FEATURES

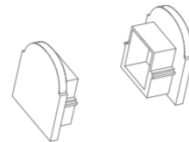
- Flangeless for Surface or Recessed Mount
- 10°, 30°, 60° Beam Spread Options
- Frosted Lens Diffuser Included
- Anodized Silver Finish
- Custom Color Finishes Available (Powder Coat)
- Available Lengths 48" and 96"
- Custom Lengths Available
- Accessories Included



ACCESSORIES



Mounting Clips
TBD.E65-MC
(Included)



End Caps
TBD.E65-EC
(Included)



Aluminum Insert
TBD.E65-AI
(Included)

ORDERING GUIDE

TBD.E65	—	—	—
	LENGTH	OPTICS	LENS
	48 - 48" 96 - 96"	10 - 10° 30 - 30° 60 - 60°	Blank - No Lens F - Frosted