

PROJECT NAME:	DATE:	TYPE:
SPECIFIER:	PREPARED BY:	
PART NO.:		



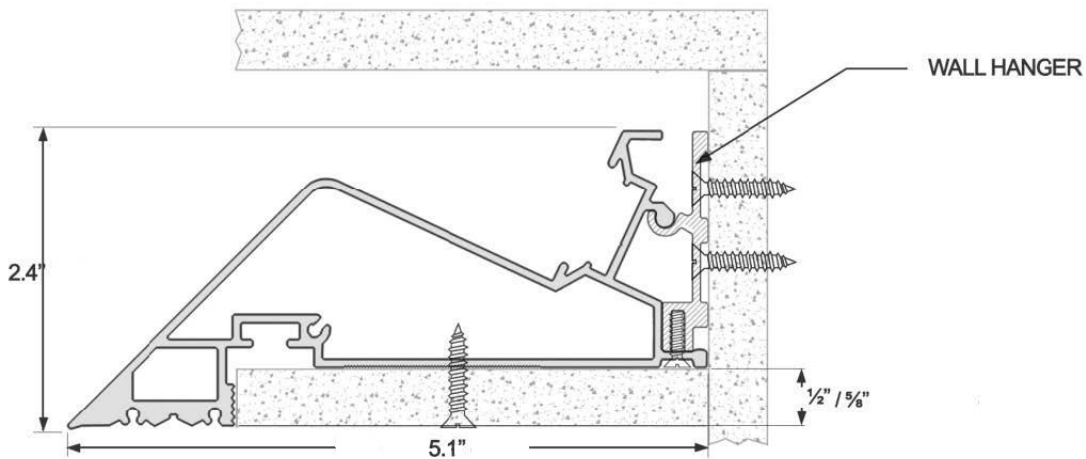
PROFILE CHANNEL SERIES

TBD.E47KE

KNIFE EDGE SURFACE MOUNT PROFILE

INSTALLATION GUIDE

Mounting Guide



Assembly Guide

