

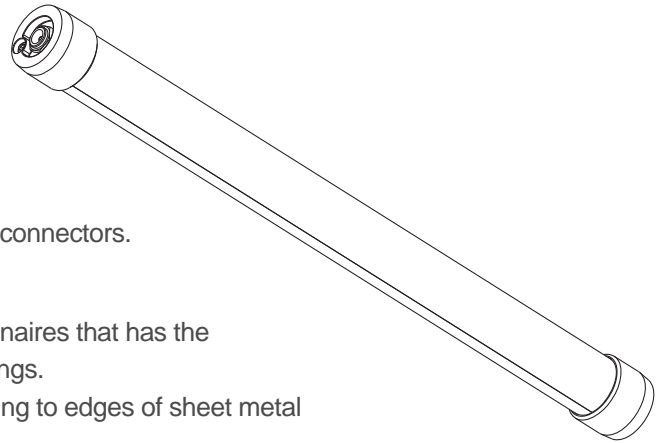
| | |
|---------------|--------------|
| PROJECT NAME: | TYPE: |
| DATE: | |
| SPECIFIER: | |
| PART NO.: | PREPARED BY: |

LED CLOSET LIGHT SERIES

INSTALLATION INSTRUCTIONS

Getting Started

The highly efficient Closet Light Fixture system is designed for use in residential and commercial closets and closet storage applications. At only 5 watts per foot a significant energy savings can be realized. These fixtures can be connected up to 20 feet in one run with end-to-end connectors.



Cautions:

- Risk of fire or electric shock. Install this kit only in the luminaires that has the construction features and dimensions shown in the drawings.
- To prevent wiring damage or abrasion, do not expose wiring to edges of sheet metal or other sharp objects.
- Suitable for installation in the storage area of a clothes closet.
- Do not cover this luminaire within 1 inch.
- Every luminaire installed in a clothes closet shall be located on the ceiling or on the front wall above the door of the closet, unless mounted on the trim or sidewall of the doorway and approved for the application. Example of installation in a closet storage area shown below.
- For use in dry / damp locations only.
- For use with Class 2 power supply only, to be installed in accordance with local electrical codes.

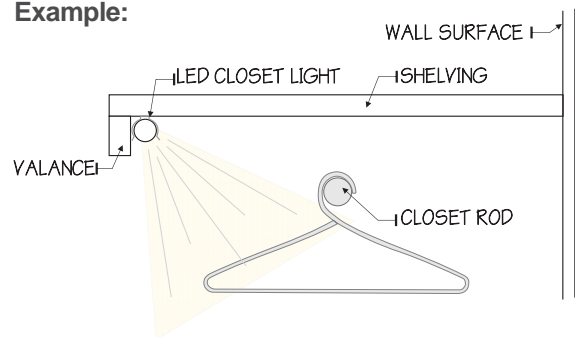
General Technical Specification:

Input Voltage: 24VDC
 Power Consumption: 5W / foot (see product label)
 100W max (20 feet of light) when connected in series

Certifications:

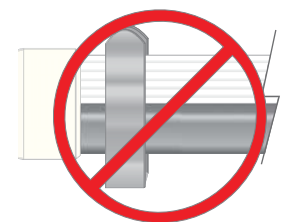
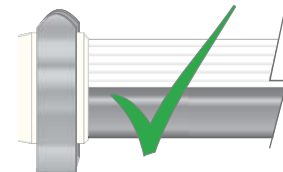
Suitable for installation in the storage area of a clothes in accordance with NEC Article 410.2 & 410.16 and CEC Section 30-204 in clothes closets.

Example:



Installation Steps:

1. Measure and layout the lighting installation before installing the mounting clips.
TIP: Mount the clips to the end caps of the Closet Light to assist with proper placement of the mounting clips and measurement of the layout.
2. Install mounting clips onto the surface of the application area. Be sure to mount the clips to the end caps of the lighting tube. (NOTE: Mounting screws are not supplied. Please use ones best suited for your installation.)
3. Press to insert the Closet Light into the clips.

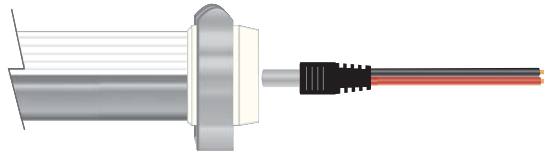


| | |
|---------------|--------------|
| PROJECT NAME: | TYPE: |
| DATE: | |
| SPECIFIER: | |
| PART NO.: | PREPARED BY: |

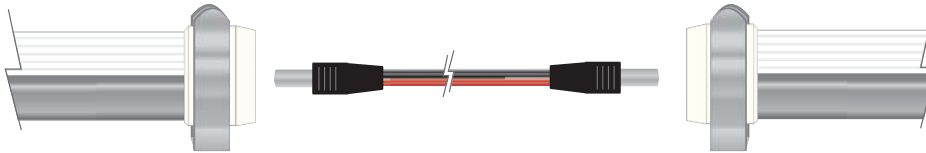
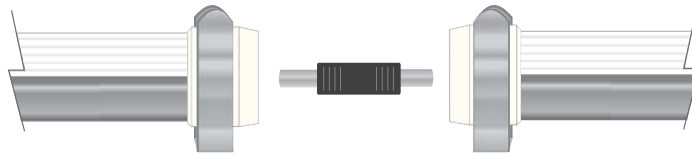
LED CLOSET LIGHT SERIES

INSTALLATION INSTRUCTIONS (continued)

- Wiring the power wires to the Class 2 power supply.
- Plug the power wires into the lamp. **TIP:** The lamp has no polarity. The main power supply wire can connect to the lamp on either end.



- Connect lights end to end, with desired connector.
- Do not connect more than 20 feet (6M) of light to one power supply.



- Rotate all of the lights to the desired position.

