

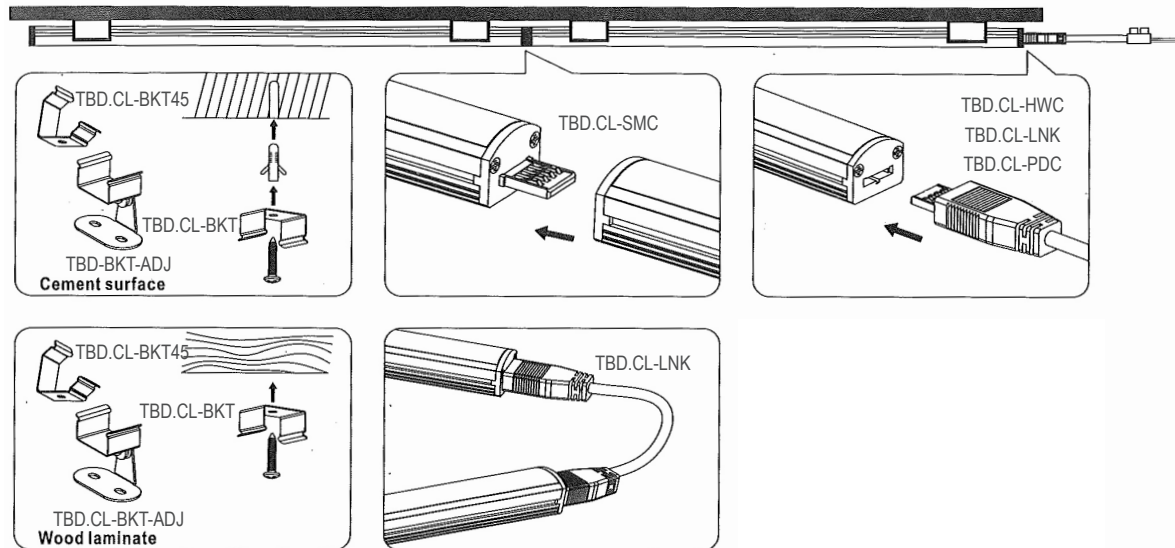
PROJECT NAME:	TYPE:
DATE:	
SPECIFIER:	
PART NO.:	PREPARED BY:



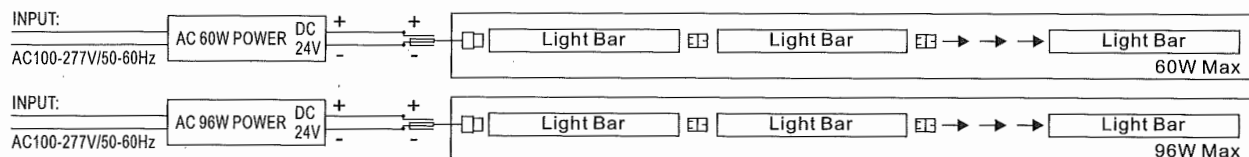
## LED CLOSET STORAGE LIGHT INSTALLATION INSTRUCTION

Model	Input voltage	LED	Suitable Electrical Model (Power)	Driver Input
TBD.CL-6	DC 24V±5%	0.1W X 24	24V Constant DC Driver	AC100-277V/50-60Hz
TBD.CL-12	DC 24V±5%	0.1W X 48	24V Constant DC Driver	AC100-277V/50-60Hz
TBD.CL-24	DC 24V±5%	0.1W X 96	24V Constant DC Driver	AC100-277V/50-60Hz
TBD.CL-36	DC 24V±5%	0.1W X 144	24V Constant DC Driver	AC100-277V/50-60Hz
TBD.CL-48	DC 24V±5%	0.1W X 192	24V Constant DC Driver	AC100-277V/50-60Hz

### CLOSET LIGHT INSTALLATION



### ELECTRICAL CONNECTING DRAWING OR COOL WHITE & WARM WHITE CLOSET LIGHT



- Please make sure that the total power of the run does not exceed the rating of the driver.

### DESCRIPTION

LED Closet Light is a 24V interlocking rigid LED strip. Produces even illumination without hot spots from 6" to 48" length and 3/4" by 5/8" profile. Optional 90° swivel mounts for versatility. CV dimmable driver specified separately. DC. Open power feed and various jumper connector are also available. Max 20 ft. run or 40 ft (20ft off of each power feed) with center feed from same driver. 3000K or 4000K, 340 lumens per foot 90+ CRI. ETL listed for USA & Canada. UL listed approved for closet and closet storage areas.

### OPTIONAL ACCESSORIES

- Powerfeed TBD.CL-HWC
- Fully Dimmable Powerfeed TBD.PSDM
- Flexible Jumper Connector TBD.CL-LNK
- Mini Coupling TBD.CL-SMC
- 0° Fixed Mounting Clips TBD.CL-BKT
- 45° Swivel Mounting Clips TBD.CL-BKT45
- Swivel Mounting Clips TBD.CL-BKT-ADJ

PROJECT NAME:	TYPE:
DATE:	
SPECIFIER:	
PART NO.:	PREPARED BY:



# HOW TO USE CONNECTORS

